



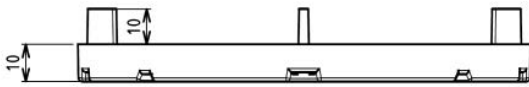
Paving Riser Pedestal

- Conforms to EU Regulations for Flat Roof made from holding masonry elements
- The riser is to be made of rigid material
- Contact zone with floor must be $\geq 300 \text{ cm}^2$
- Large support surface: 100 cm^2
- Breaking resistance: the riser is studied to cope with 5.0 KN while a charging trial - charge uniformly distributed on the full riser section.



Paving Riser Pedestal (Fix height) 10mm Specification

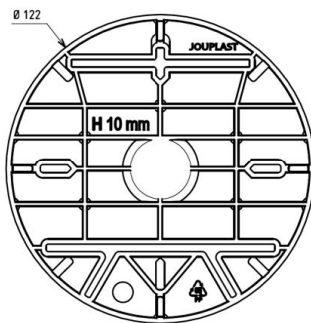
Side View



Spacer: Thickness - 3mm / Height: 10mm Spacer quantity: 4

Top View

Can also be used as a 10mm extension to be put on the top of pedestal risers



Packaging

BOX

Amount:	60 PIECES
Weight:	4KG

PALLET

Amount:	3 720 PIECES
---------	--------------

Crushing test

10mm PAVING RISER	Pressure (N)
Screwed:	>19954
Unscrewed:	10015+/-1085

Characteristics



Eco material - recyclable



Atmospheric resistance



In accordance with normative: DTU 43.1



Material: Polypropylene



Acid resistance



Temperature resistance -30°C and +60°C



Crushing resistance exceeds: 500kg



CE Declaration of Performance is available on request

