



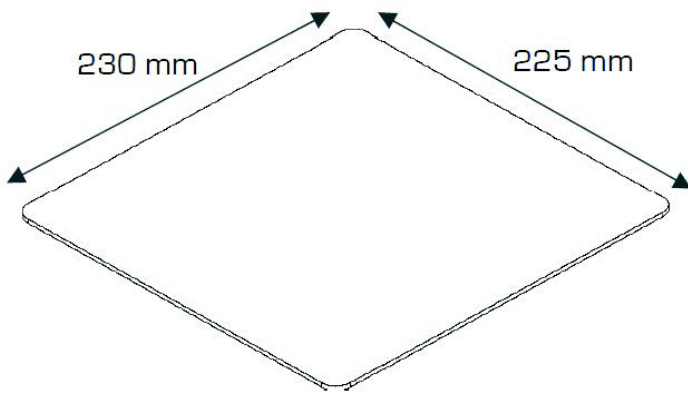
Isolation Mat

- Creates a cushion between the riser and the surface
- Reduces vibration and noise
- Protects sealing
- Improves stability



Isolation Mat Specification

Technical details



- **Material:** recycled rubber.
- **Colour:** Black
- **Dimensions:** 225 mm x 230 mm x 3 mm
- **Thickness:** 3 mm
- **Weight:** 115 gr.
- UV and frost resistant
- 100 % recyclable
- Resistant, irremovable, unalterable

Packaging	
BOX	
Amount:	30 pieces per box
Weight:	4 kg
Dimensions:	26 x 25 x 10 cm
PALLET	
Amount:	80 boxes per pallet
Weight:	325 kg

Recommendations

- Do not use on gravel

